



# PLC Splitters (Module & Rack Package)

AC Photonics' PLC splitters utilize advanced chip design and manufacturing technologies, as well as proven high reliability packaging. Their superior performances and extreme operating temperature range (-40~+85°C) make them very suited for FTTx applications.

All AC products are Telcordia qualification tested.



## Features

- Low Insertion Loss
- Low PDL
- Excellent Environmental & Mechanical Stability
- Qualified Under Telcordia GR-1221 and GR-1209

## Applications

- FTTX (FTTP, FTTH, FTTN, FTTC)
- Passive Optical Networks (PON)
- Local Area Networks (LAN)
- Cable Television
- Test Equipments

## Performance Specifications

Parameter	Specification											
Operating Wavelength (nm)	1260 ~ 1650											
Type	1x2	2x2	1x4	2x4	1x8	2x8	1x16	2x16	1x32	2x32	1x64	2x64
Insertion Loss (dB) Max. *	≤4.0	≤4.3	≤7.3	≤7.6	≤10.8	≤11.2	≤13.8	≤14.5	≤17.2	≤18.2	≤20.5	≤21.0
Uniformity (dB) Max.*	≤0.6	≤0.8	≤0.8	≤1.0	≤1.0	≤1.5	≤1.5	≤2.0	≤2.0	≤2.5	≤2.5	≤3.0
PDL(dB)Max.*	≤0.2	≤0.2	≤0.2	≤0.3	≤0.2	≤0.3	≤0.3	≤0.4	≤0.3	≤0.4	≤0.3	≤0.3
Directivity (dB) Min *	55											
Return Loss (dB) Min *	50											
Operating Temperature (°C)	-40 ~ +85											
Storage Temperature (°C)	-40 ~ +85											
Fiber Type	Corning singlemode SMF-28											
Connector Type	Custom specified											
Power Handling (mW)	300											

\* 1 . Measured at room temperature and excludes connector loss.

2 . For devices with connectors insertion loss will be 0.3 dB higher.



## Ordering Information

PLC	<input type="checkbox"/> <input type="checkbox"/>	<input type="checkbox"/>	<input type="checkbox"/> <input type="checkbox"/> <input type="checkbox"/> <input type="checkbox"/>	<input type="checkbox"/>	<input type="checkbox"/>	<input type="checkbox"/>	<input type="checkbox"/>	<input type="checkbox"/> <input type="checkbox"/>
	Wavelength	Grade	Port	Input Pigtail Style	Fiber Length	Input Connector	Output Connector	Package Type (Optional)
	35=1310/1550nm 13=1310nm 15=1550nm	P= P Grade	0102 =1x2 0104 =1x4 0108=1x8 0116=1x16 0132=1x32 0164 =1x64 0202 =2x2 0204 =2x4 0208 =2x8 0216=2x16 0232=2x32 0264 =2x64	1=Bare Fiber 2=900um Jacket	1=1m 2=2m	0=None 1=FC/APC 2=FC/PC 3=SC/APC 4=SC/PC 5=ST 6=LC 7=LC/APC	0=None 1=FC/APC 2=FC/PC 3=SC/APC 4=SC/PC 5=ST 6=LC 7=LC/APC 8=8 Fiber MPO(male) 9=8 Fiber MPO(female) X=Special	B1=10x80x100mm Case B2=18x80x120mm Case B3=14.5x102x142mm Case B4=18x115x141mm Case B5=19" Rack B6=LGX Boxes

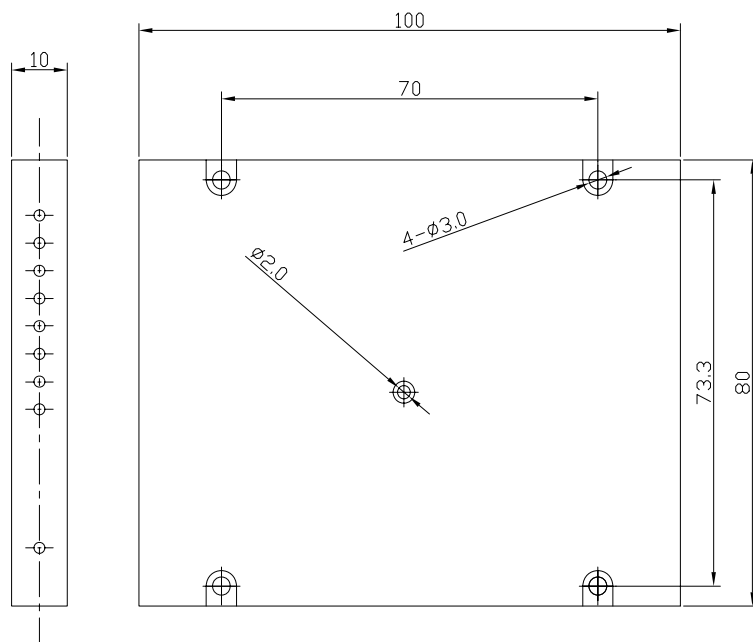
## Package Type Matrix

Package Type	Package Dimensions HxWxL (mm)	PLC Splitters Port Configuration				
		1x2; 2x2; 1x4; 2x4	1x8; 2x8	1x16; 2x16	1x32; 2x32	1x64; 2x64
B1	10x80x100	X	X			
B2	18x80x120	X	X	X		
B3	14.5x102x142	X	X	X	X	
B4	18x115x141	X	X	X	X	X
B5	19" Rack Single Wide	X	X	X	X	
	19" Rack Double Wide					X
B6	LGX Box Single Wide	X	X			
	LGX Box Double Wide			X		

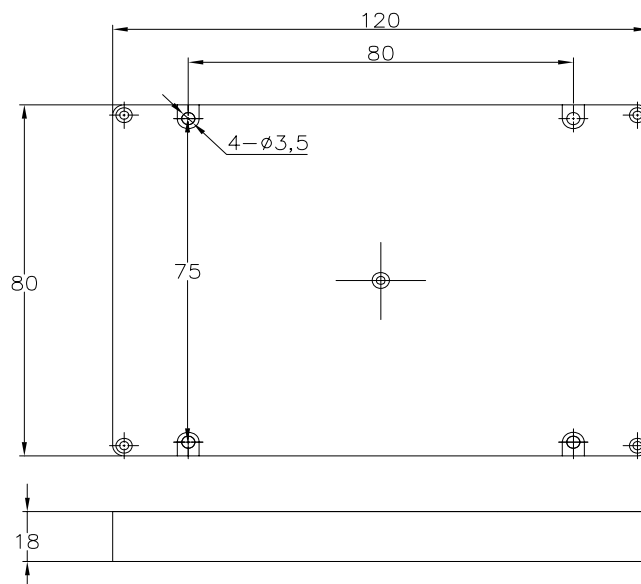


## Dimensions

**Package B1: 10x80x100 (HxWxL) mm**

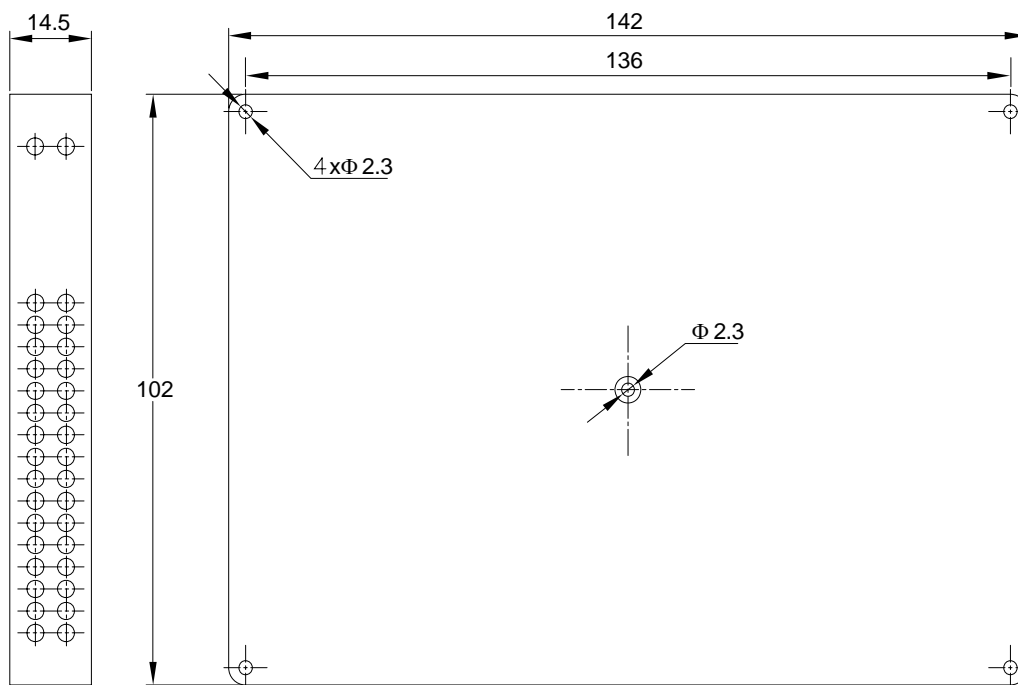


**Package B2: 18x80x120 (HxWxL) mm**



## Dimensions

**Package B3: 14.5x102x142 (HxWxL) mm**



**Package B4: 18x115x141 (HxWxL) mm**

